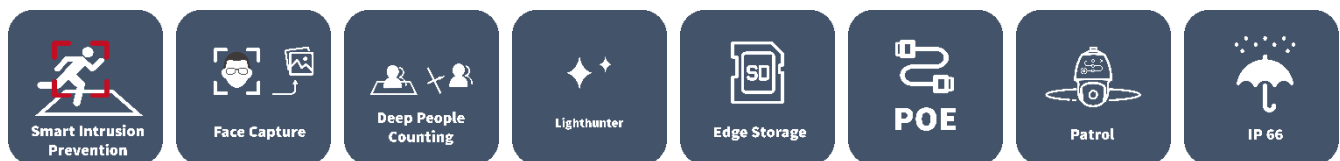


2MP 33x lighthunter Laser IR Network PTZ Camera

IPC6652EL-X33-WM



Key Features



- High quality image with 2MP,1/2.8" CMOS sensor
- 1920*1080@60fps in the main stream
- Ultra 265, H.265, H.264, MJPEG
- 33X Optical Zoom
- Smart intrusion prevention, support false alarm filtering, include Cross Line, Intrusion, Enter Area, Leave Area detection
- Face capture, automatic selection of best snapshots, support face detection masked area
- People Counting, support people flow counting and crowd density monitoring, suitable for different statistical scenarios
- Lighthunter technology ensures ultra-high image quality in low illumination environment
- Vari-focal laser: 500m (1640ft) distance, proportional to optical zoom of camera module
- AC 24V ±25%, DC 24V±25%, POE(PSE Required)
- Alarm 2 in and 1 out, Audio 1 in and 1 out
- IP66 ingress protection

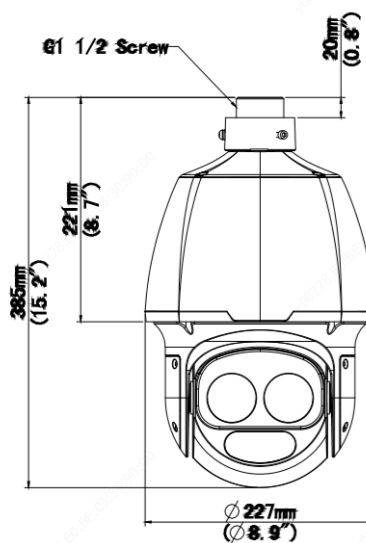
Specifications

| | | | | | |
|-------------------------|------------------------------------------------------------------------------------------------------------------------------|------------------|-----------------|-----------------|----------------|
| | IPC6652EL-X33-WM | | | | |
| Camera | | | | | |
| Sensor | 1/2.8", 2.0 megapixel, progressive scan, CMOS | | | | |
| Minimum Illumination | Colour: 0.001Lux (F1.5, AGC ON) 0Lux with IR | | | | |
| Day/Night | IR-cut filter with auto switch (ICR) | | | | |
| Shutter | Auto/Manual, 1 ~ 1/100000s | | | | |
| WDR | 120dB | | | | |
| S/N | >52dB | | | | |
| Lens | | | | | |
| Lens type | 4.5 ~ 148.5mm, AF automatic focusing and motorized zoom lens | | | | |
| Digital Zoom | 16 | | | | |
| Optical Zoom | 33 | | | | |
| Iris | Auto; F1.5 ~ F4.0 | | | | |
| Field of View (H) | 56.2° ~ 2.6° | | | | |
| Field of View (V) | 33.5° ~ 1.4° | | | | |
| Field of View (D) | 69.2° ~ 3.0° | | | | |
| DORI | | | | | |
| DORI Distance | Lens (mm) | Detect (m) | Observe (m) | Recognize (m) | Identify (m) |
| | 4.5 | 72.9(239.3ft) | 29.2(95.7ft) | 14.6(47.9ft) | 7.3(23.9ft) |
| | 148.5 | 2187.9(7178.3ft) | 875.2(2871.3ft) | 437.6(1435.7ft) | 218.8(717.8ft) |
| Illuminator | | | | | |
| Vari-focal Laser | Up to 500m(1640ft) | | | | |
| Wavelength | 850nm | | | | |
| IR On/Off Control | Auto/Manual | | | | |
| Video | | | | | |
| Video Compression | Ultra 265, H.265, H.264, MJPEG | | | | |
| Frame Rate | Main Stream: 2MP (1920*1080), Max 60fps; Sub Stream: 2MP (1920*1080), Max 60fps; Third Stream: D1 (720*576), Max 60fps | | | | |
| Video Bit Rate | 128 Kbps~16 Mbps | | | | |
| U-code | Support | | | | |
| ROI | Up to 8 areas | | | | |
| Video stream | Triple streams | | | | |
| OSD | Up to 8 OSDs | | | | |
| Privacy Mask | 24 areas, up to 4 areas per scene | | | | |
| Image | | | | | |
| White Balance | Auto/Outdoor/Fine Tune/Sodium Lamp/Locked/Auto2 | | | | |
| Digital noise reduction | 2D/3D DNR | | | | |
| Flip | Normal/Flip Vertical/Flip Horizontal/180°/90°Clockwise/90°Anti-clockwise | | | | |
| EIS | Support | | | | |
| HLC | Support | | | | |

| | |
|----------------------------|------------------------------------------------------------------------------------------------------------------------------------------------------------------------------------------------------------|
| BLC | Support |
| Defog | Digital Defog |
| Intelligent | |
| Smart Intrusion Prevention | Support false alarm filtering: Cross Line detection, Intrusion detection, Enter Area detection, Leave Area detection |
| Face Capture | Support; Face attributes: Gender, Age range, Glasses, Mask |
| People Counting | Support people flow counting and crowd density monitoring |
| Events | |
| Basic Detection | Motion detection, Audio detection, Tampering Alarm |
| Auto Tracking | Support |
| General Function | Watermark, IP Address Filtering, Alarm input, Alarm output, Access Policy, ARP Protection, RTSP Authentication, User Authentication |
| Audio | |
| Audio Compression | G.711U,G.711A |
| Audio Bitrate | 64 Kbps |
| Two-way audio | Support |
| Suppression | Support |
| Sampling Rate | 8 kHz |
| Storage | |
| Edge Storage | Micro SD, up to 256GB |
| Network Storage | ANR,NAS(NFS) |
| Network | |
| Protocols | IPv4, IGMP, ICMP, ARP, TCP, UDP, DHCP, PPPoE, RTP, RTSP, RTCP, DNS, DDNS, NTP, FTP, UPnP, HTTP, HTTPS, SMTP, 802.1x, SNMP, QoS, RTMP, SSL/TLS |
| Compatible Integration | ONVIF (Profile S, Profile G, Profile T), API, SDK |
| User/Host | Up to 32 users. 3 user levels: administrator, operator and common user |
| Security | Password protection, strong password, HTTPS encryption, Export operation logs, basic and digest authentication for RTSP, digest authentication for HTTP, TLS 1.2, WSSE and digest authentication for ONVIF |
| Client | EZStation EZView EZLive |
| Web Browser | Plug-in required live view: IE 10 and above, Chrome 45 and above, Firefox 52 and above, Edge 79 and above |
| Pan & Tilt | |
| Pan Range | 360° (endless) |
| Pan Speed | 0.1°/s ~ 200°/s |
| | Preset speed: 300°/s |
| Tilt Range | -15° ~ 90° (auto reverse) |
| Tilt Speed | 0.1°/s ~ 200°/s |
| | Preset speed: 240°/s |
| Number of Presets | 1024 |
| Preset Patrol | 16 patrols, up to 64 presets for each patrol |
| Route Patrol | 16 patrols, up to 32 actions for each patrol |
| Recorded Patrol | 16 patrols, up to 128 actions for each patrol |
| Patrol Stay Time | 15s~1800s |
| Preset Image Freeze | Support |

| | |
|----------------------|-----------------------------------------------------------------------------------------------------------------------------------|
| Home Position | Support |
| Interface | |
| Audio I/O | 1/1 |
| Alarm I/O | 2/1 |
| Serial Port | 1 RS485 |
| Built-in Mic | N/A |
| Built-in Speaker | N/A |
| WIFI | N/A |
| Network | 1 RJ45 10M/100M Base-TX Ethernet |
| Video output | 1 BNC |
| Certification | |
| EMC | CE-EMC (EN 55032:2015; EN 55024:2010+A1:2015; EN 61000-3-2:2014; EN 61000-3-3:2013) FCC (FCC CFR 47 part15 B, ANSI C63.4-2014) |
| Environment | CE-ROHS (2011/65/EU;(EU)2015/863) |
| Protection | IP66 (IEC 60529:1989+AMD1:1999+AMD2:2013) |
| General | |
| Power | AC 24V ±25%, DC 24V±25%, PoE (PSE Required) |
| | Power consumption: Max 53W |
| Power Interface | Wires with cold-pressed terminal |
| Dimensions (∅ x H) | ∅227 x 385mm (∅8.9" x 15.2") |
| Weight | 5.6kg(12.35lb) |
| Working Environment | -40°C ~ 70°C (-40°F ~ 158°F), Humidity: ≤95% RH (non-condensing) |
| Storage Environment | -40°C ~ 70°C (-40°F ~ 158°F), Humidity: ≤95% RH (non-condensing) |
| Surge Protection | 6KV |
| Reset Button | Support |

Dimensions



Accessories

TR-CE45-IN
Pendent Mount



TR-SE45-A-IN
Pendent Mount



TR-SE45-IN
Pendent Mount



TR-UF45-A-IN
Pendent Mount



TR-WE45-IN
Wall Mount



TR-WE45-A-IN
Wall Mount



TR-UP08-A-IN/TR-UP08-B-IN
Pole Mount



TR-UC08-A-IN/ TR-UC08-B-IN
Corner Mount

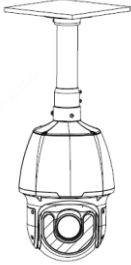

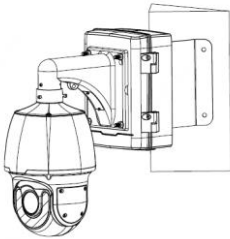


TR-JB12-IN
Junction Box



TR-WE45-B-IN
Wall Mount



| Pendent Mount | Pole Mount |
|-------------------------------------------------------------------------------------|--------------------------------------------------------------------------------------|
| TR-CE45-IN; TR-UF-45-A -IN +TR-SE45-A-IN/TR-SE45-IN | TR-WE45-IN/TR-WE45-A-IN+TR-UP08-A-IN/TR-UP08-B-IN+TR-JB12-IN |
|  |  |
| Corner Mount | / |
| TR-WE45-IN/TR-WE45-A-IN+TR-UC08-A-IN/ TR-UC08-B-IN+TR-JB12-IN | / |
|  | / |

Zhejiang Uniview Technologies Co., Ltd.

Building No.10, Wanlun Science Park, Jiangling Road 88, Binjiang District, Hangzhou, Zhejiang, China (310051)

Email: overseasbusiness@uniview.com; globalsupport@uniview.com

<http://www.uniview.com>

©2022 Zhejiang Uniview Technologies Co., Ltd. All rights reserved.

*Product specifications and availability are subject to change without notice.